

Technical data sheet

Product features



Cooling counter GN1/1, 2x 1/2 drawer, without splash back, stainless steel, 230 V

Model	SAP Code	00006039
--------------	-----------------	----------

– Max ambient temperature [°C]: 43



SAP Code	00006039	Net Weight [kg]	120.00
Net Width [mm]	1380	Power electric [kW]	0.320
Net Depth [mm]	700	Loading	230 V / 1N - 50 Hz
Net Height [mm]	850		

Technical data sheet

Technical drawing

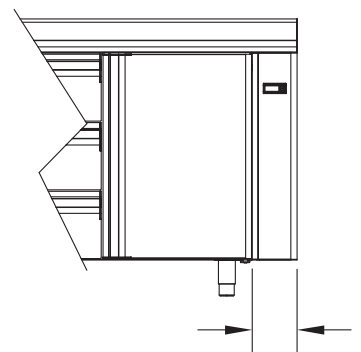
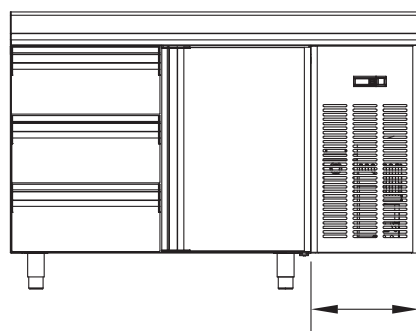
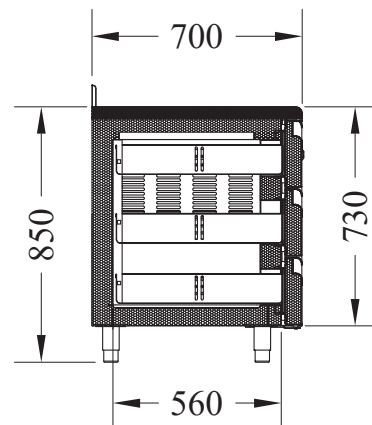
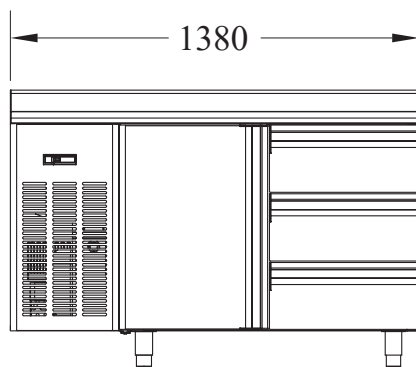
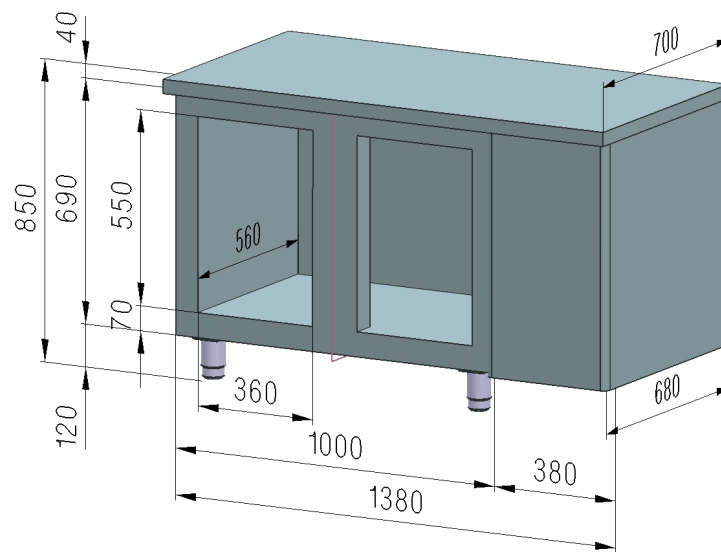


Cooling counter GN1/1, 2x 1/2 drawer, without splash back, stainless steel, 230 V

Model

SAP Code

00006039



Technical data sheet

Technical parameters



Cooling counter GN1/1, 2x 1/2 drawer, without splash back, stainless steel, 230 V

Model

SAP Code

00006039

1. SAP Code:

00006039

9. Gross Weight [kg]:

140.00

2. Net Width [mm]:

1380

10. Power electric [kW]:

0.320

3. Net Depth [mm]:

700

11. Loading:

230 V / 1N - 50 Hz

4. Net Height [mm]:

850

12. Min ambient temperature [°C]:

10

5. Net Weight [kg]:

120.00

13. Max ambient temperature [°C]:

43

6. Gross Width [mm]:

1450

14. Gross Volume [m3]:

0.979

7. Gross depth [mm]:

750

15. Net Volume [m3]:

0.821

8. Gross Height [mm]:

900